

gmelectronics

IDI Systems™



Data Logger

incorporating

RF Data Communications

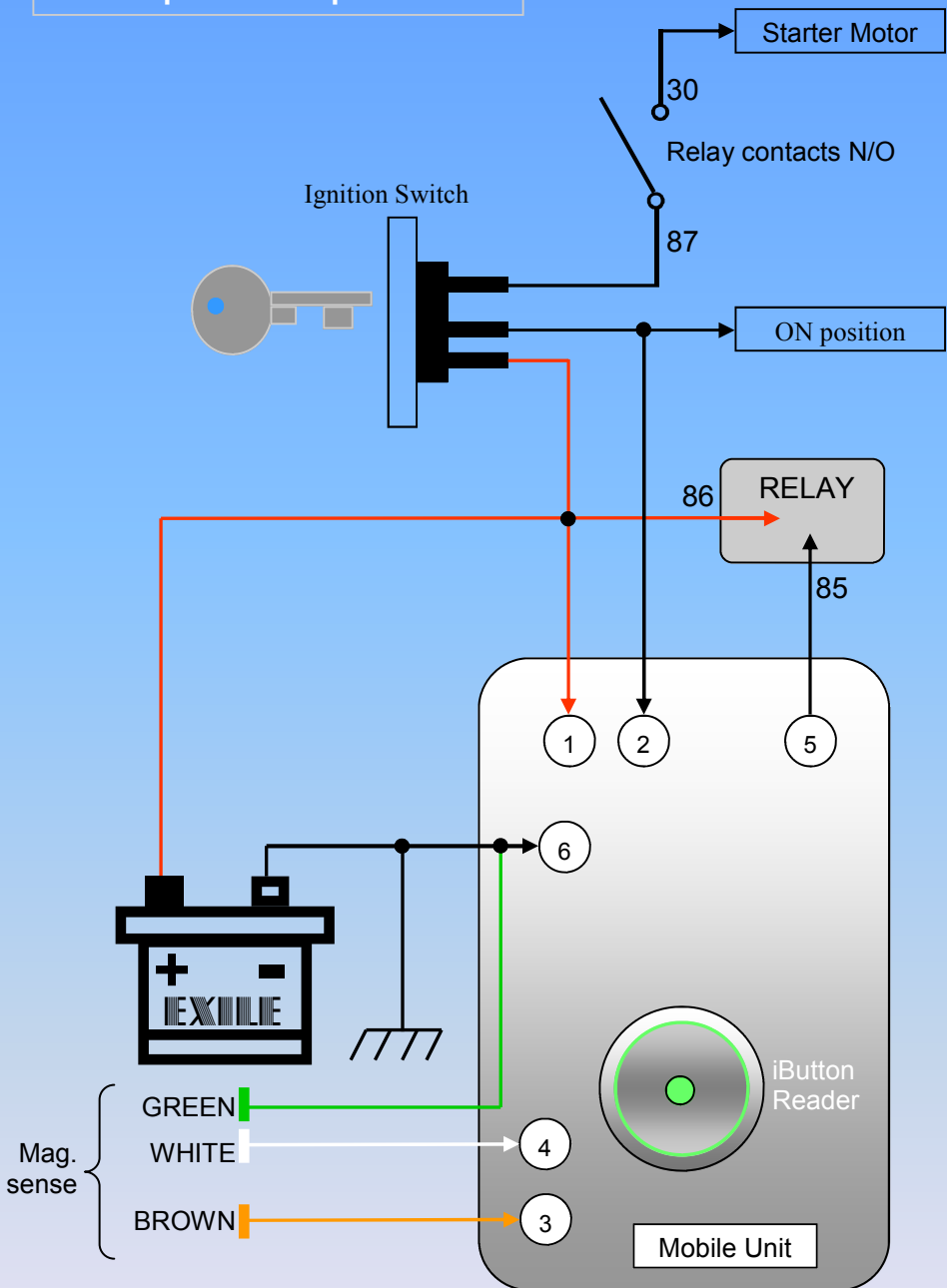
MOBILE UNIT
INSTALLATION
GUIDE



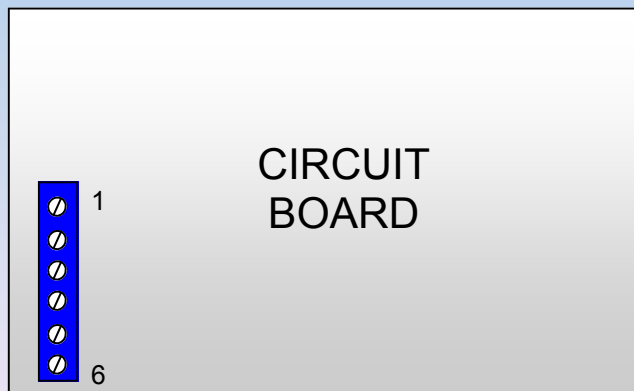
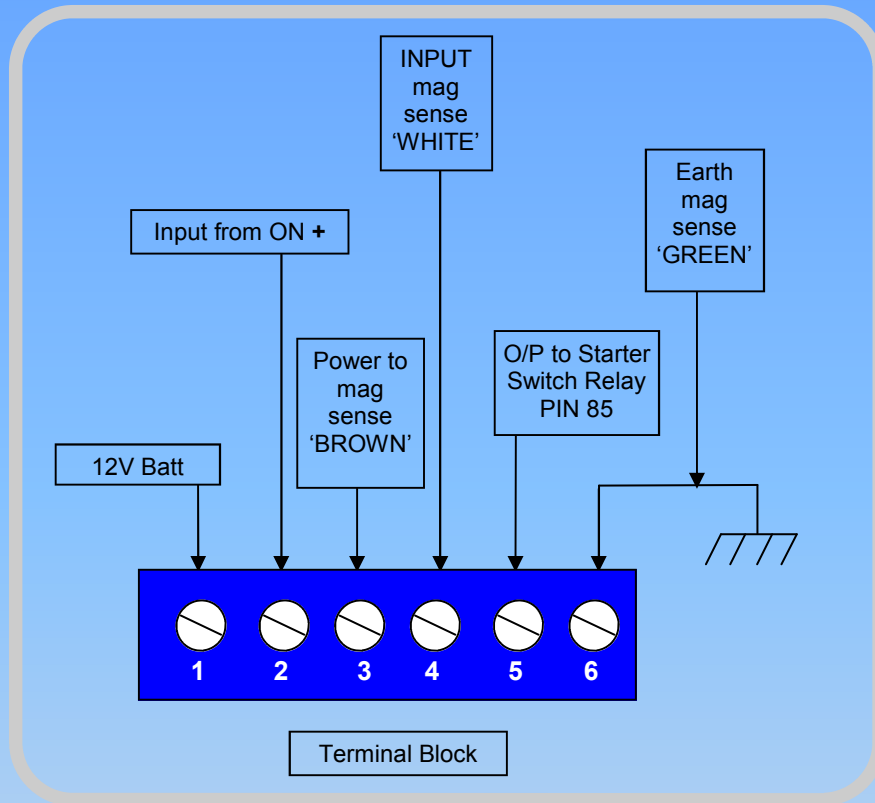
iButton® TECHNOLOGY ENABLED



Principle of Operation



Wiring the Mobile Unit

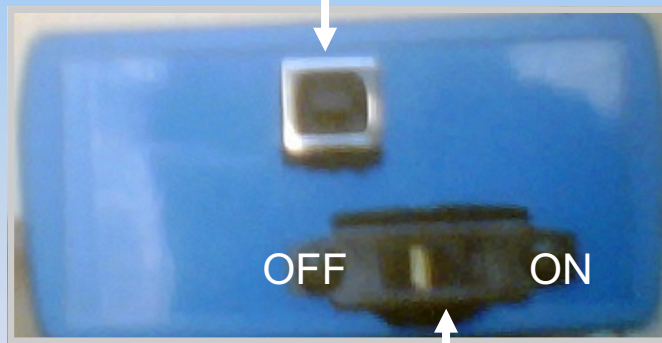


HANDHELD UNIT

In Host mode power to the unit is taken from the USB connector



USB Connector

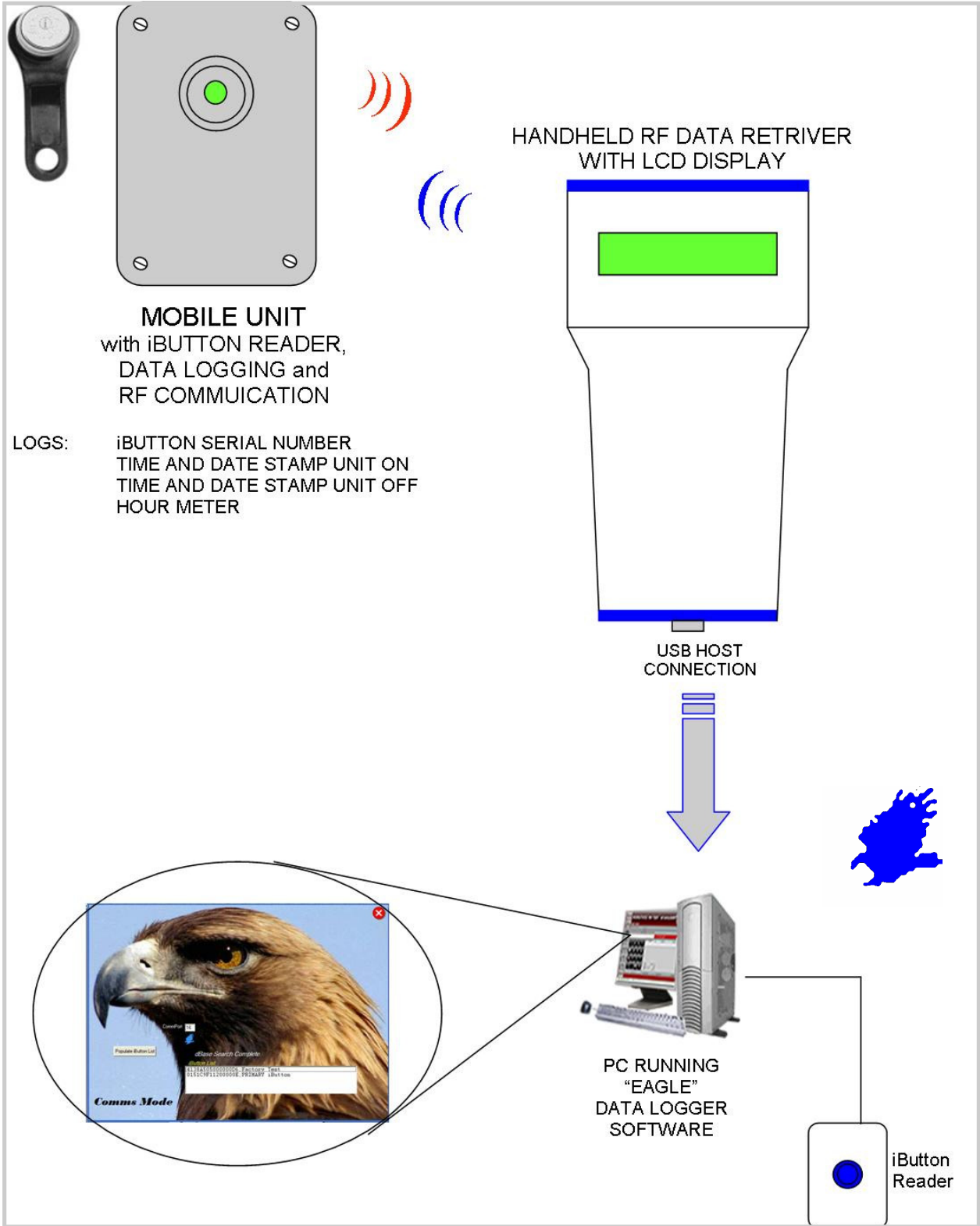


OFF ON

Onboard Battery
Power Switch



OVERVIEW



Contact Information

